

CASCADE

MELAMINE SPECIFICATIONS



BOX CONSTRUCTION

- 3/4" particle board core with melamine paper (side, bottom & top); frameless construction
sink base cabinets have a plywood bottom

DOOR FRONTS

- 3/4" MDF core with melamine paper and matching edge band; full overlay profile

DRAWER FRONTS

- 3/4" MDF core with melamine paper and matching edge band; full overlay profile

DRAWER GLIDES

- 3-fold; full extension; ball bearing glides

SHELVES

- 3/4" particle board core with melamine paper; 18" depth, adjustable

DRAWER BOX

- 3/4" particle board core (sides & back);
1/4" MDF (bottom)

INTERIOR FINISH

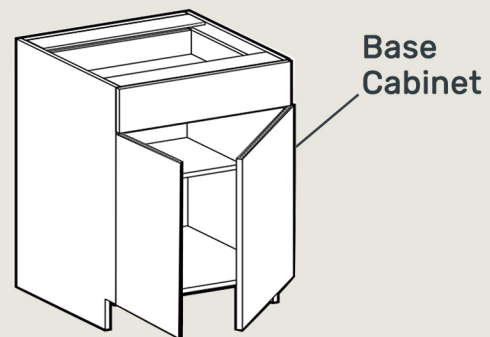
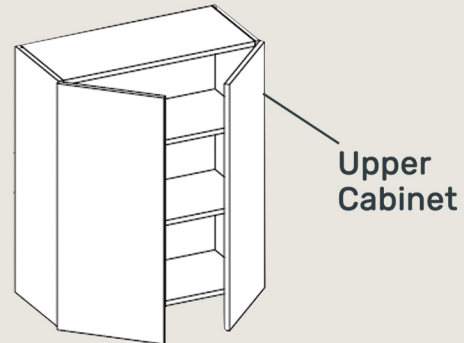
- Color matched to door & drawer fronts

EXTERIOR FINISH

- Color matched to door & drawer fronts

BACK

- 1/4" MDF core with melamine paper; 3/4" support beams (top & bottom)



SUPPORT BEAMS

- 3/4" particle board core with melamine paper (top & bottom)

TOE KICK

- 3/4" particle board core with melamine paper

HINGES

- 6-way, adjustable